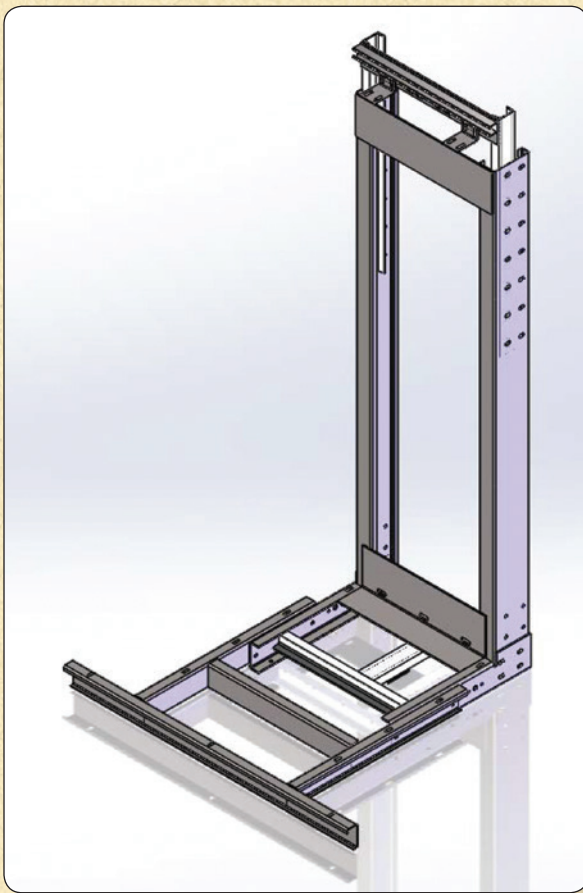


Residential Car Frame

Safe, dependable and long-lasting home elevators

Every major component in our elevator system has been engineered and qualified in accordance with the industry's highest standards. The result is trouble-free installation with the confidence that it will endure for years to come, while assuring maximum safety and reliability. Canton Elevator's residential car frame features the same construction materials as our commercial elevators.



- Heavy gauge steel frame components
- Unitized welded frame construction (not bolted)
- Adjustable crosshead for tall cabs
- Bolt-on platform extension to accommodate custom platform sizes
- Pre-assembled safeties and linkage
- Fits through a standard 30" door frame
- Assembled sling weighs less than 250 lbs. (without platform extension)
- Steel power strut platform framing with 3/4" plywood subflooring

